

## Instructions

### Important Safety Instructions and Warnings

When using your projection equipment always observe the following safety precautions:

1. Read and understand all instructions before using the equipment.
2. Close supervision is necessary when any appliance is used by or near children. Do not leave appliance unattended while in use.
3. Care must be taken as burns can occur from touching hot parts.
4. The appliance power switch has the symbols 'O' for 'OFF' and 'I' for 'ON'.
5. Do not operate appliance with a damaged cord, or if the appliance has been dropped, or damaged, until it has been examined by a qualified service person.
6. Ensure all cables are routed safely to avoid tripping or pulling: also avoid sharp bends, pinches and contact with hot surfaces.
7. If an extension cord is necessary, a cord with a current rating at least equal to that of the appliance must be used. Cords rated for less amperage than the appliance may overheat.
8. Always unplug appliance from electrical outlet and allow to cool before any cleaning or servicing or when not in use or moving. Never yank cord to pull plug from outlet. Grasp plug and pull gently to disconnect.
9. Let appliance cool completely before putting away. Loop cord loosely around appliance when storing.
10. To reduce the risk of electric shock, do not dismantle this appliance. To reduce risk of electric shock, do not use where the projector may be subjected to dripping or splashing liquids. Never immerse products in any liquids.
11. To reduce the risk of electric shock - do not dismantle this appliance. Take it to a qualified repairer when servicing is required. Incorrect reassembly can cause electric shock when the appliance is used subsequently.
12. The use of an accessory attachment not recommended by the manufacturer may cause a risk of fire, electric shock, or injury.
13. This projector must always be connected to a grounded (earthed) electricity supply.
14. Disconnect this unit from its source of supply before replacing the LED module.
15. This equipment is for indoor use in moderate climates only. Never use the equipment in damp or wet conditions. Avoid excessive heat, humidity, dust & vibration.
16. Only connect to a power supply with a voltage corresponding to that printed on the projector.
17. Always use the mains lead supplied suitable for your country.
18. To avoid the possibility of inadvertent resetting the thermal cut-out, this appliance must not be supplied via an external switching device, such as a timer, or connected to a circuit that is regularly switched on and off.
19. Do not obstruct any ventilation openings. To avoid thermal 'cut out' or heat damage make sure all air inlets and outlets are clear of obstruction before and during use.
20. DO NOT USE THE PROJECTOR AT AN ANGLE OF MORE THAN 90° FROM HORIZONTAL as this may cause an effect or effect accessory to separate from the projector, fall and break which may also cause injury.
21. During focusing beware of rotating the projection lens too far out, as this can cause the lens to separate from the projector, and may drop and break which could cause injury.
22. Before replacing a fuse, DISCONNECT THE EQUIPMENT FROM THE MAINS SUPPLY.
23. After any maintenance or cleaning all parts must be absolutely dry before refitting.
24. All procedures, described in the maintenance section, must be carried out by qualified service personnel under the authority of the manufacturers recognised agent.



**SAVE THESE INSTRUCTIONS**

## OPERATING INSTRUCTIONS

### PACKED BOX CONTENTS

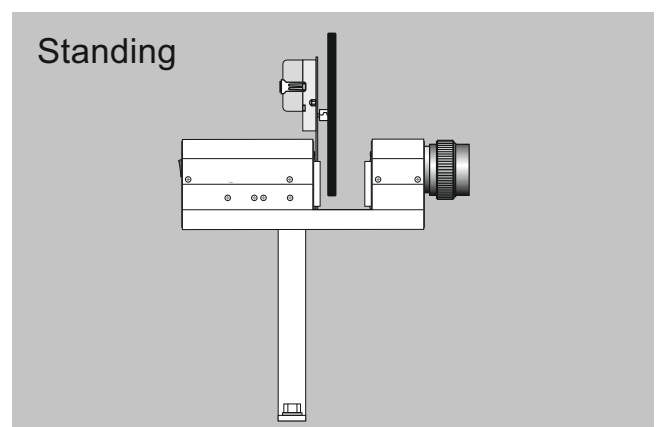
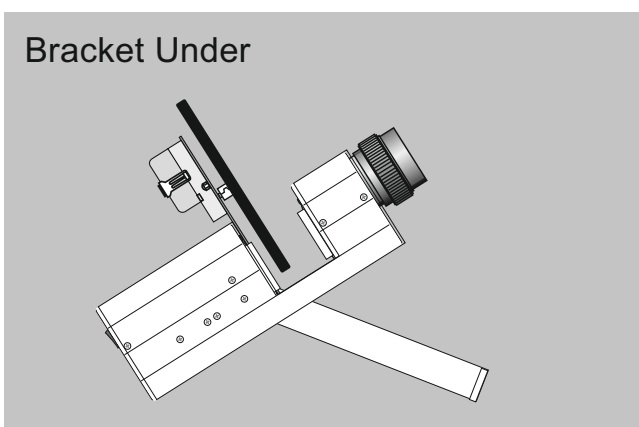
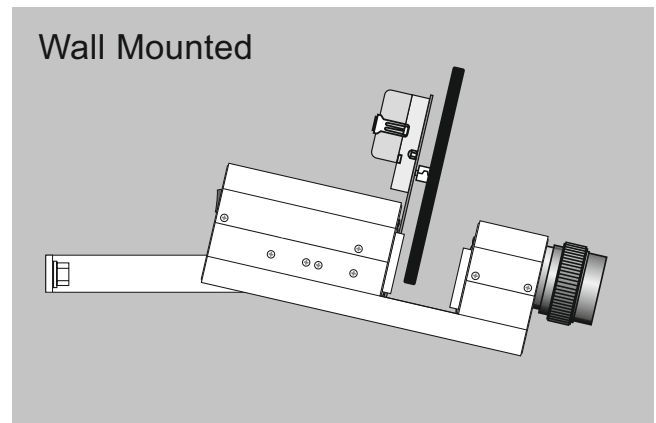
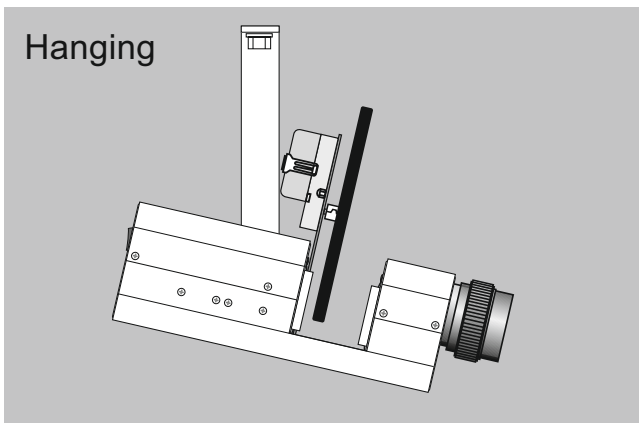
**OPTI Solar 100 LED Projector with 85mm Lens fitted. 12V DC Transformer with 1.5 metre lead.**

Carefully unpack and keep packaging for the return of equipment for servicing. Ensure all items specified are in the box. If not, contact your sales outlet or us at the address on this document. If the equipment appears damaged in any way, return it to sales outlet in its original packaging. No responsibility for damage arising from the use of non-approved packaging will be accepted.

**POWER RATING: 24W MAX  
OPERATING VOLTAGE: 12V DC**

### MOUNTING THE PROJECTOR

Ensure that the projector is secured to a surface or structure, able to bear the weight of the projector and accessories, via the bracket fitted using suitable central bolt (minimum: 14mm M10 x 20mm), washers and attachments. When hanging or wall mounting a safety chain or cable must be fitted to the projector and secured to an immovable object able to support the weight of the projector if it should fall.



**CAUTION: Never operate projector with underside lying flat on a flat surface blocking the air vent.**



## **ADJUSTING THE BRACKET**

Adjust the angle and position of the effects projector using the knob, which connects the bracket to the unit.

1. Loosen the securing lever and move bracket to desired position.
2. Tighten lever securely.
3. To adjust the position of the lever press the central button, pull lever away from the projector, turn to the desired position and release.

## **OPERATION**

This Effects Projector is designed exclusively for use with the OPTI Solar Range of Effects Accessories and OPTI Effects. Ask your dealer for a demonstration and always follow instructions.

### **Installation of the Active Gate Wheel Rotator and Effects:**

1. Select the Effect and appropriate Active Gate Wheel Rotator and fit the Effect onto the Active Gate Wheel Rotator.
2. Place the Effect and the Active Gate Wheel Rotator into the gate of the Projector by sliding into the rear gate runners. The main effect should be fitted into the rear gate runners for maximum life and object illumination. Image altering effects like Distortion Wheels can be fitted into the front gate runners.
3. Once in place they should start working instantly as they are powered by the Active Gate.

### **WARNING** ⚠

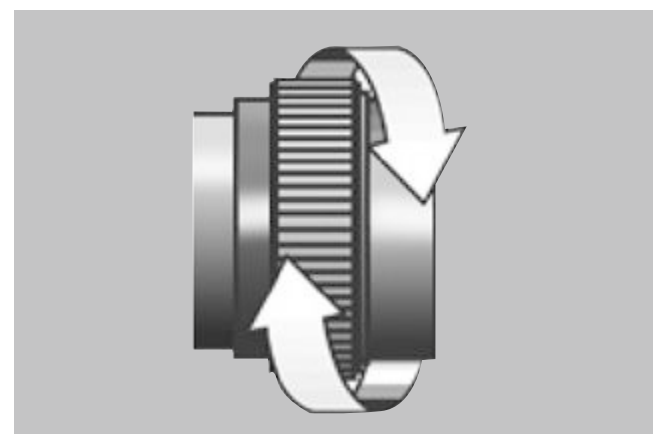
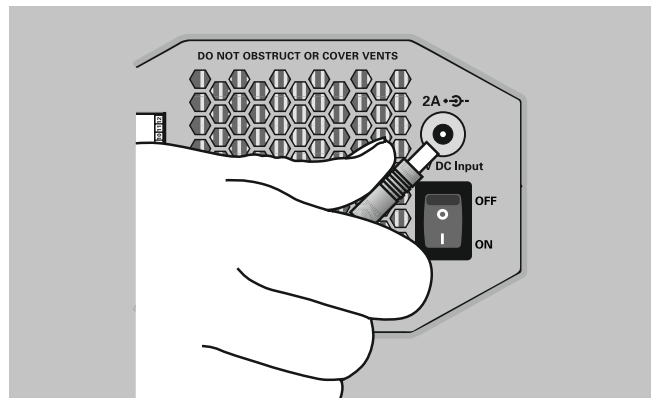
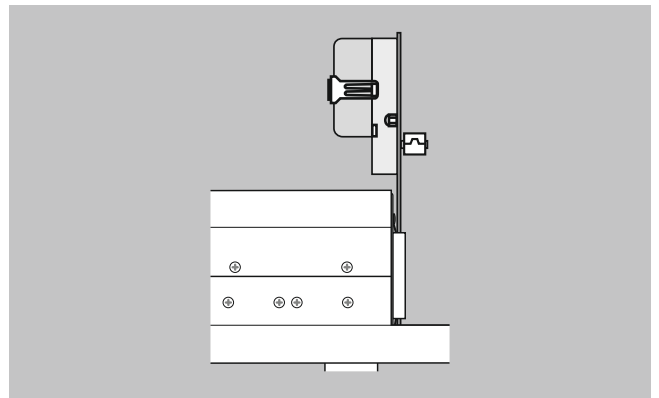
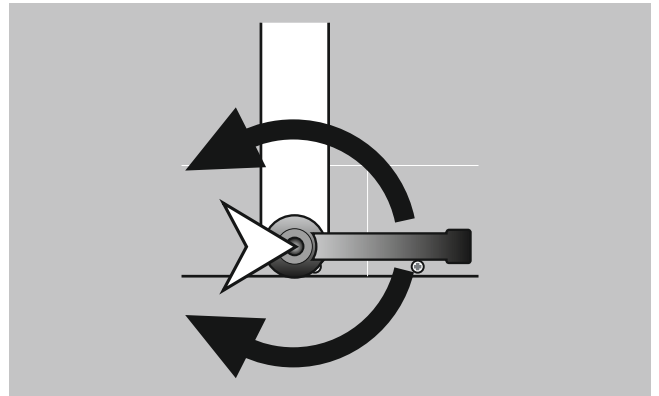
[OPTI] Kinetics Active Gate Projectors do not support wheel rotators manufactured before 2017. Metal wheel rotators should **never** be inserted into an Active Gate Projector.

## **MAINS CONNECTION**

Plug in the 12V transformer into a mains socket and switch on if necessary. Next, plug the other end of the lead into the 12V socket on the rear panel. Then turn the Effects Projector on by the power switch to the 'I' (ON) position.

## **FOCUSSING THE IMAGE**

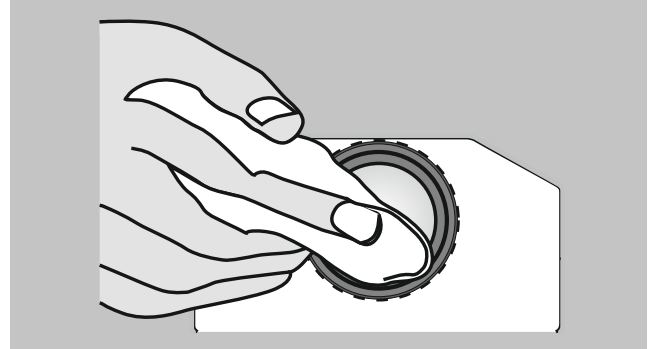
Focus the effect by twisting the lens in and out until desired focus is achieved.



## OPERATING INSTRUCTIONS

### CLEANING THE FOCUSING LENS

Use a soft tissue or lens cloth with a little methylated spirit or pure alcohol.



### TECHNICAL INFORMATION

<b>NAME:</b>	[OPTI] Solar 100 LED
<b>Overall size:</b>	215mm long (without lens) x 125mm wide x 81mm deep (270mm deep with hanging bracket).
<b>Weight:</b>	Projector: 1.67kg Projector+Transformer: 1.85kg Packed: 2.4kg.
<b>Standard lens:</b>	3 Element 85mm f2.8 42.5mm Helical Focus Groove.
<b>Mains voltage:</b>	100 - 240V adaptor
<b>Power consumption:</b>	24 Watts maximum.
<b>12V~ output current:</b>	500mA maximum.
<b>Light source:</b>	20W LED Module.
<b>LED module life:</b>	Average 10,000+ hours useful life.
<b>Total light output:</b>	450 lumens (on screen)
<b>Colour temperature:</b>	5500° K
<b>Accessories:</b>	OPTI Solar effect accessories
<b>Operating:</b>	Ambient temperature 10 to 35°C Relative humidity 80%rH max

### GUARANTEE

[OPTI] Kinetics Ltd guarantees this product for 1 year from the date of purchase from all mechanical, electrical or assembly defect. Within this 1-year period any fault will be repaired or remedied free of charge.

To extend the warranty free of charge to 3 years, please register your [OPTI] Solar 100 LED Projector by visiting [www.optikinetics.co.uk/guarantee-form](http://www.optikinetics.co.uk/guarantee-form)

**Note: The guarantee is void if the projector has been opened or if a repair has been attempted by anyone other than an [OPTI] Kinetics authorised repairer.**



38 Cromwell Road Luton LU3 1DN England  
+44 (0)1582 411413 | [ukadmin@optikinetics.co.uk](mailto:ukadmin@optikinetics.co.uk) | [www.optikinetics.co.uk](http://www.optikinetics.co.uk)

