

Instructions

Important Safety Instructions and Warnings

When using your projection equipment always observe the following safety precautions:

Read and understand all instructions before using the equipment.

2. This equipment is for indoor use in moderate climates only. Never use the equipment in damp or wet conditions. Avoid excessive heat, humidity, dust & vibration.
3. To reduce risk of electric shock, do not use where the projector may be subjected to dripping or splashing liquids. Never immerse products in any liquids.
4. Connect only to a power supply with a voltage corresponding to that printed on the projector.
5. This projector must always be connected to a grounded (earthed) electricity supply.
6. Always use the mains lead supplied suitable for your country.
7. Do not operate appliance with a damaged cord, or if the appliance has been dropped, or damaged, until it has been examined by a qualified service person.
8. If an extension cord is necessary, a cord with a current rating at least equal to that of the appliance must be used. Cords rated for less amperage than the appliance may overheat.
9. To avoid the possibility inadvertent resetting of the thermal cutout, this appliance must not be supplied via an external switching device, such as a timer, or connected to a circuit that is regularly switched on and off
10. Ensure all cables are routed safely to avoid tripping or pulling: also avoid sharp bends, pinches and contact with hot surfaces.
11. The appliance power switch has the symbols 'O' indicating 'OFF' and 'I' indicating 'ON'.
12. Do not obstruct any ventilation openings. To avoid thermal 'cut out' or heat damage make sure all air inlets and outlets are clear of obstruction before and during use.
13. Children over 8 years old and persons with reduced physical, sensory or mental capabilities or lack of experience and knowledge can use the appliance if under close supervision or given instructions how to use the appliance safely and they understand the hazards involved. Do not leave unattended or allow children to play with the appliance or allow them to clean or carry out any maintenance work.
14. The use of an accessory attachment not recommended by the manufacturer may cause a risk of fire, electric shock, or injury.
15. DO NOT USE THE PROJECTOR AT AN ANGLE OF MORE THAN 90° FROM HORIZONTAL as this may cause an effect or effect accessory to separate from the projector, fall and break which may also cause injury.
16. During focusing beware of rotating the projection lens too far out, as this can cause the lens to separate from the projector, and may drop and break which could cause injury.
17. Always disconnect appliance from electrical outlet when not in use or moving. Never yank cord to pull plug from outlet. Grasp plug and pull gently to disconnect.
18. To reduce the risk of electric shock - do not dismantle this appliance. Take it to a qualified repairer when servicing is required.
19. Always unplug appliance from electrical outlet and allow to cool before any cleaning and/or servicing.
20. After any maintenance or cleaning all parts must be absolutely dry before refitting.
21. All procedures, described in the maintenance section, must be carried out by qualified service personnel under the authority of the manufacturers recognised agent.

SAVE THESE INSTRUCTIONS

OPERATING INSTRUCTIONS (220-240V~ Model)

PACKED BOX CONTENTS

OPTI GOBO 40 LED Projector with 85mm Lens fitted. 2 metre IEC Lead.

Carefully unpack and keep packaging for the return of equipment for servicing. Ensure all items specified are in the box. If not, contact your sales outlet or us at the address on this document. If the equipment appears damaged in any way, return it to sales outlet in its original packaging. No responsibility for damage arising from the use of non-approved packaging will be accepted.

POWER RATING 62W MAX

OPERATING VOLTAGE 220-240V~ 50-60Hz

FUSE

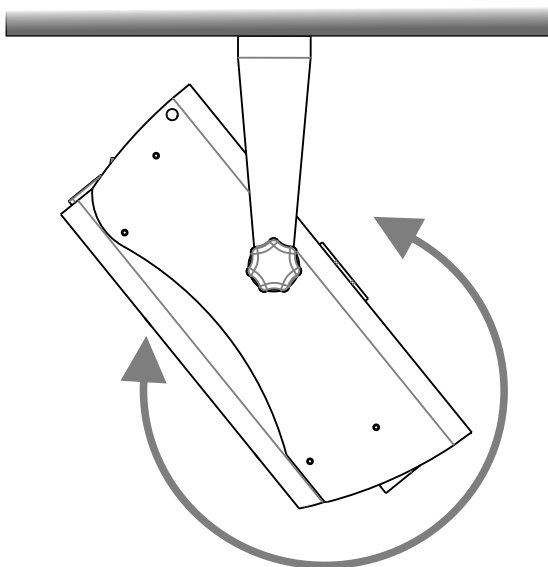
Mains: T2AH/250V ceramic (20mm x 5mmØ)

Before replacing a fuse, DISCONNECT PROJECTOR FROM THE MAINS SUPPLY.

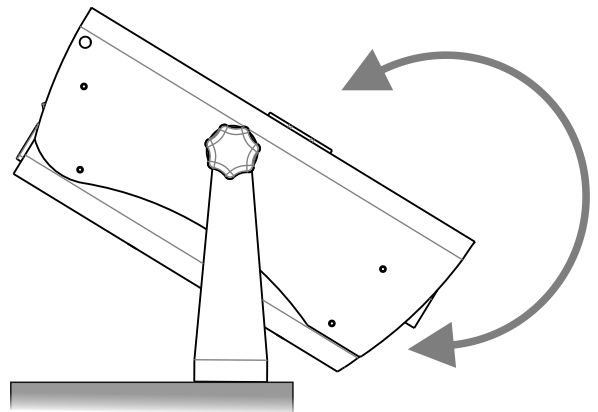
MOUNTING THE PROJECTOR

Ensure that the projector is secured to a surface or structure, able to bear the weight of the projector and accessories, via the bracket fitted using suitable bolts (minimum: 14mm M10 x 20mm), washers and attachments. For added strength in a fixed position on a flat surface, use the bracket as a marking template for drilling fastening holes. Use a minimum of 2 fasteners such as 2 x 40mm. No 10 wood screws. The following options are:

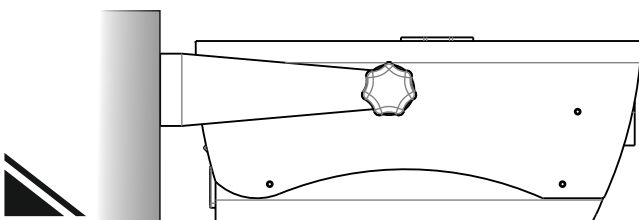
Hanging



Bracket Under/ Standing



Wall Mounted



ADJUSTING THE BRACKET

Adjust the angle and position of the effects projector using the knobs, which connect the bracket to the unit.

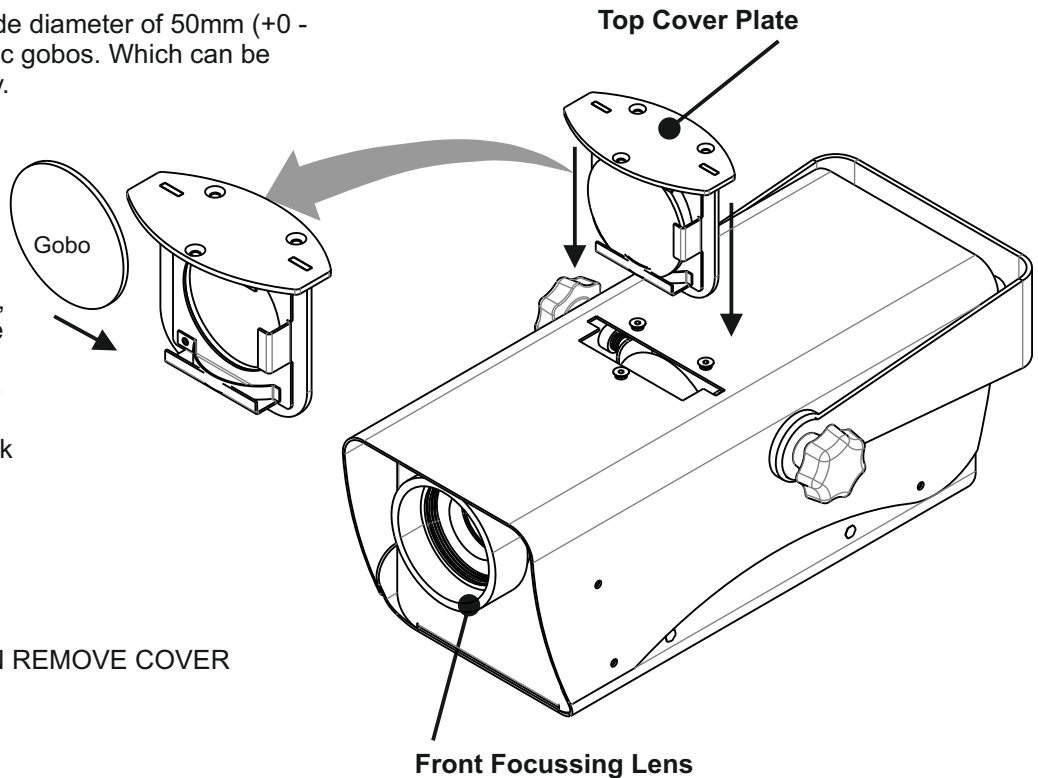
1. Loosen the two knobs.
2. Rotate the bracket or the projector.
3. Tighten the knobs.

Gobos

This projector accommodates an outside diameter of 50mm (+0 - 0.1mm) to 44mm OD (+0 -0.1mm) static gobos. Which can be purchased from [OPTI] Kinetics directly.

Installation of gobo:

1. Remove top cover plate via the 3 screws.
2. Lift plate up and out of the projector, the whole gobo holder unit will then be accessible.
3. Slide the gobo into the holder on top of the two springs.
4. The holder can then be inserted back into the projector cover and screwed down securely. .



WARNING

ONLY QUALIFIED PERSONNEL CAN REMOVE COVER

MAINS CONNECTION

Plug in the IEC lead into the IEC socket on the rear panel.

FOCUSSING THE IMAGE

Focus the effect by twisting the front lens in and out until desired focus is achieved.

CLEANING THE FOCUSSING LENS

Use a soft tissue or lens cloth with a little methylated spirit or pure alcohol.

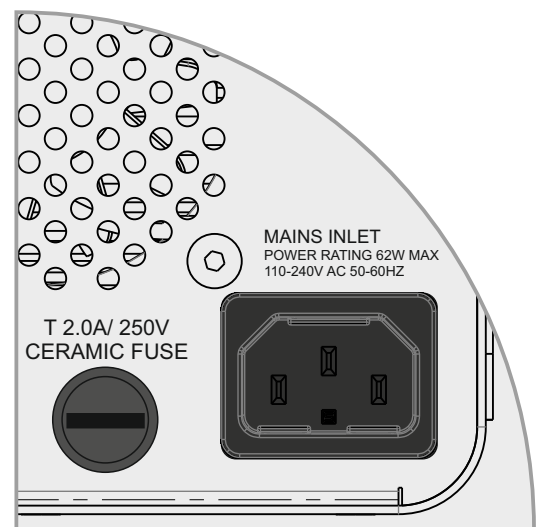
CHANGING THE FUSE

Before replacing a fuse, DISCONNECT THE PROJECTOR FROM THE MAINS SUPPLY.

The fuse must only be replaced with a fuse of the type and rating marked on the rear panel. If a fuse fails immediately, contact your local service agent. DO NOT replace with a higher value. The main fuse is fitted in the rear panel.

To change:

1. With a flat end screwdriver, turn to loosen the fuse holder.
2. Remove old fuse and replace with a T2AH/250V Ceramic (20mm x 5mm) fuse.
3. Refit the fuse holder, push it into the rear panel until it stops.



TECHNICAL INFORMATION

NAME:	[OPTI] GOBO40
Overall size:	245.9mm long x 100.4mm wide x 100.2mm deep (199.9mm deep with hanging bracket).
Weight:	1.8kg.
Standard lens:	3 Element 85mm f2.8 42.5mm Helical Focus Groove.
Mains voltage:	220 - 240V~ or 110 - 120V~ 50/60Hz.
Power consumption:	62 Watts maximum.
Mains Fuse:	T2AH/250V ceramic (20mm x 5mmØ)
Light source:	40W LED Module.
LED module life:	Average 100,000+ hours useful life.
Brightness Output:	2200 Lumens
Colour temperature:	4000° K
Cooling: Operating:	Tubeaxial fan.
	Ambient temperature 10 to 35°C
	Relative humidity 80%rH max

GUARANTEE

[OPTI] Kinetics Ltd guarantees this product for 1 year from the date of purchase from all mechanical, electrical or assembly defect. Within this 1-year period any fault will be repaired or remedied free of charge.

To extend the warranty free of charge to 3 years, please register your [OPTI] GOBO40 LED Projector by visiting www.optikinetics.co.uk/guarantee-form

Note: The guarantee is void if the projector has been opened or if a repair has been attempted by anyone other than an [OPTI] Kinetics authorised repairer.



[OPTI] Kinetics

38 Cromwell Road Luton LU3 1DN England
 +44 (0)1582 411413 | ukadmin@optikinetics.co.uk | www.optikinetics.co.uk

